

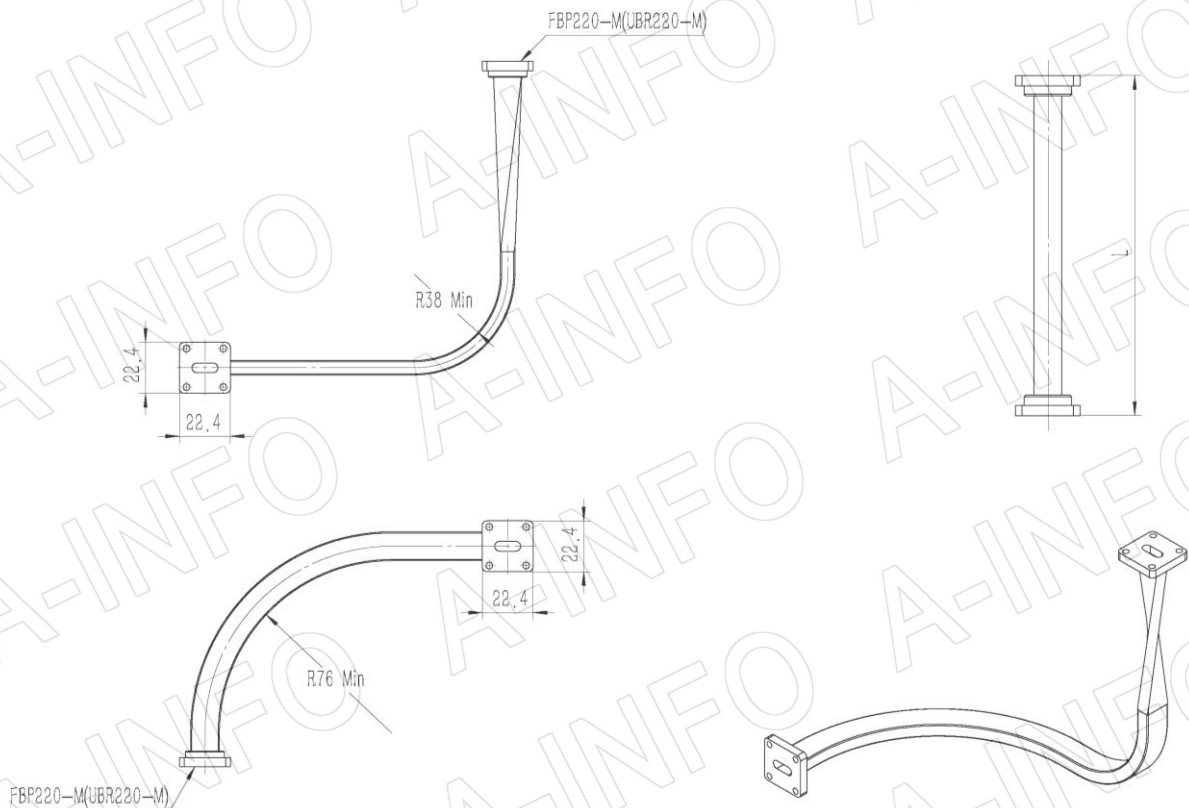
For reference only. See data sheet for the detailed specifications.

Technical Specification

| | |
|------------------------|--------------------|
| EIA WR | WR42 |
| Frequency Range(GHz) | 18.0 – 26.5 |
| Attenuation(dB/m) | 1.2 Max. |
| VSWR | 1.25:1 Max. |
| Average Power(KW) | 0.1 |
| Max. Twist(deg/m) | 510 |
| Min. E-Bend Radius(mm) | 38 |
| Min. H-Bend Radius(mm) | 76 |
| Flange | FBP220-M(UBR220-M) |
| Jacket | Rubber |
| Operating Temp.(°C) | -55 ~ +85 |
| Material | Cu |
| Length(mm) | 500 |
| Net Weight(Kg) | 0.13 Around |



Outline Drawing (Size: mm)



AINFO Inc.

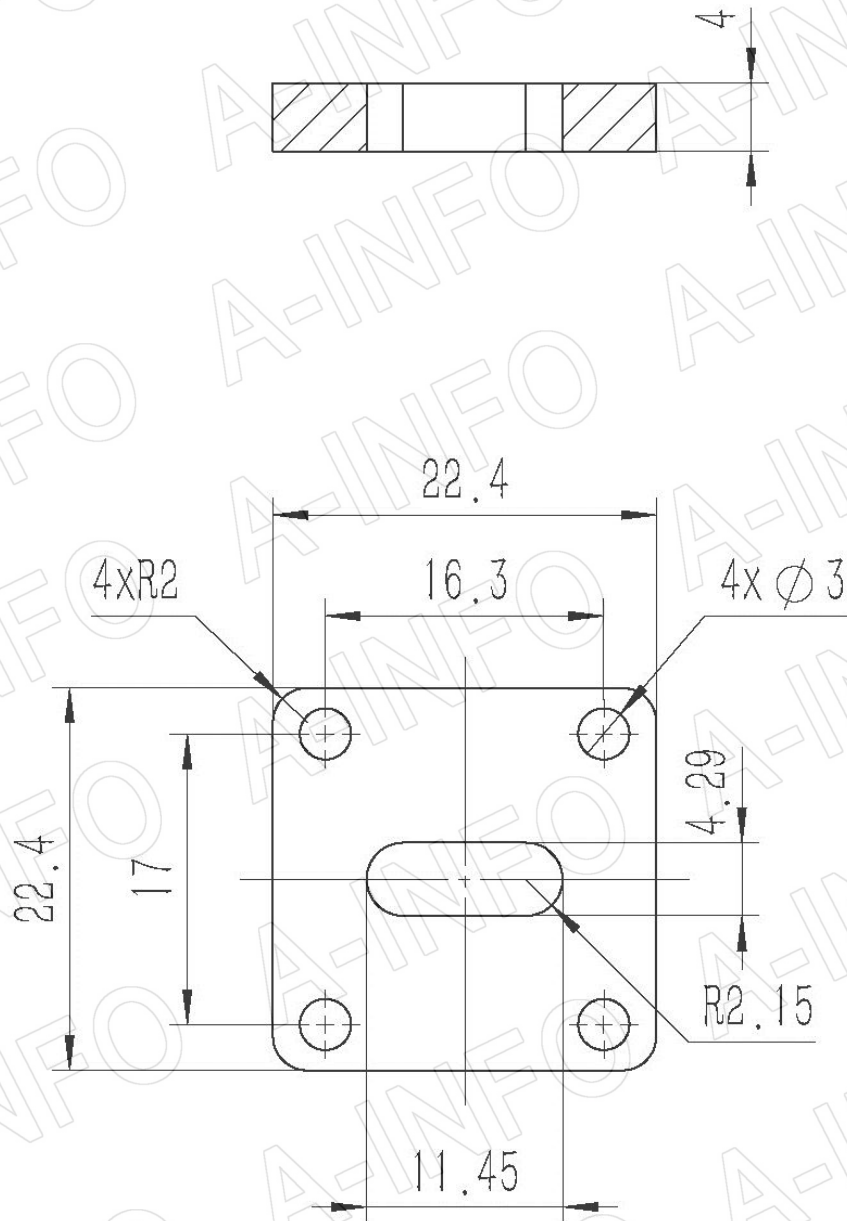
Page 1 of 3

China(Beijing): Tel: (+86) 10-6266-7326,
 China(Chengdu): Tel: (+86) 28-8519-2786,
 USA: Tel: (+1) 949-639-9688,

(+86) 10-6266-7327 Fax: (+86) 10-6266-7379
 (+86) 28-8519-3044 Fax: (+86) 28-8519-3068
 (+1) 949-639-9608 Fax: (+1) 949-639-9670

Website: www.ainfoinc.com
 Email: sales@ainfoinc.com

Flange Drawing (Size: mm)



FBP220-M

AINFO Inc.

Page 2 of 3

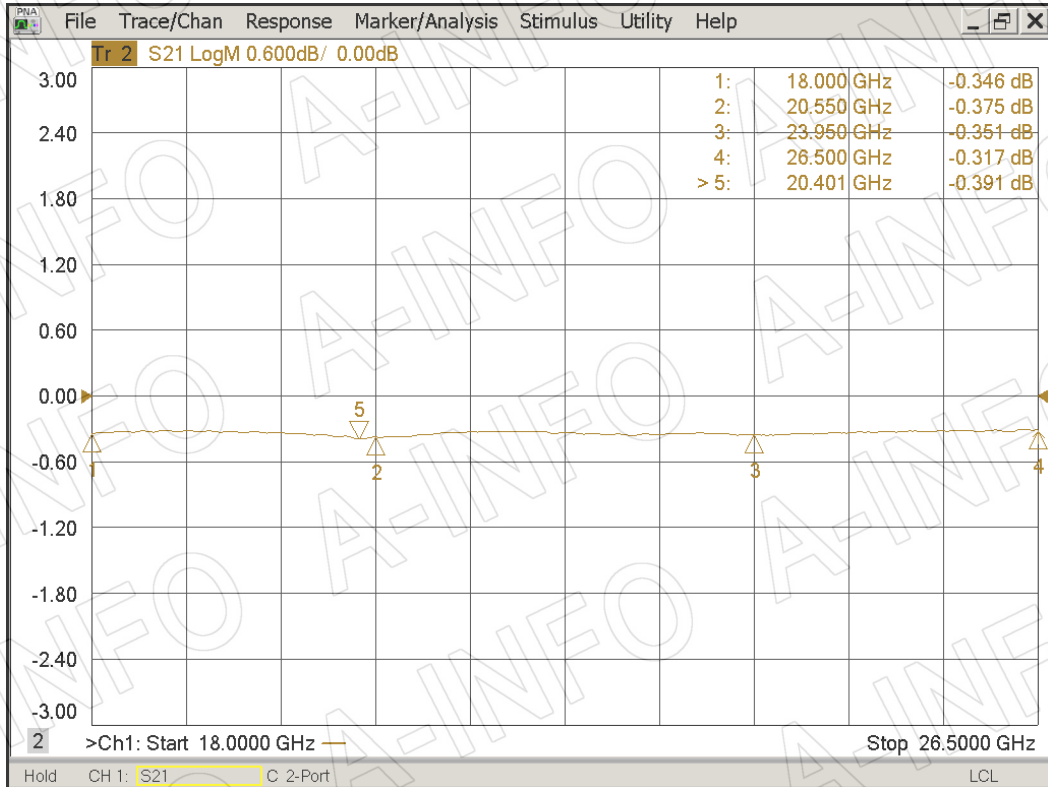
China(Beijing): Tel: (+86) 10-6266-7326,
China(Chengdu): Tel: (+86) 28-8519-2786,
USA: Tel: (+1) 949-639-9688,

(+86) 10-6266-7327 Fax: (+86) 10-6266-7379
(+86) 28-8519-3044 Fax: (+86) 28-8519-3068
(+1) 949-639-9608 Fax: (+1) 949-639-9670

Website: www.ainfoinc.com
Email: sales@ainfoinc.com

Test Results

Attenuation (I.L.: 0.7820dB/m Max.)



VSWR

